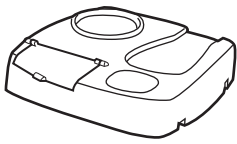
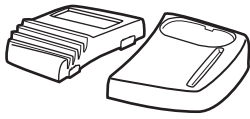


Contents



Counter base



Side wings



Scale display



Scale base



Scale dish



Magazine & Post Office Form rack (left & right)



Sponge moistener & Holder



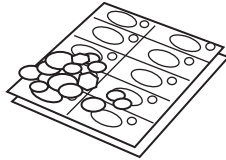
Stamper



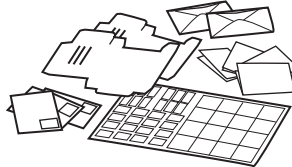
Post box



Notepad & Pencil



Assorted play notes & coins



Greeting cards, envelopes, boxes & stickers

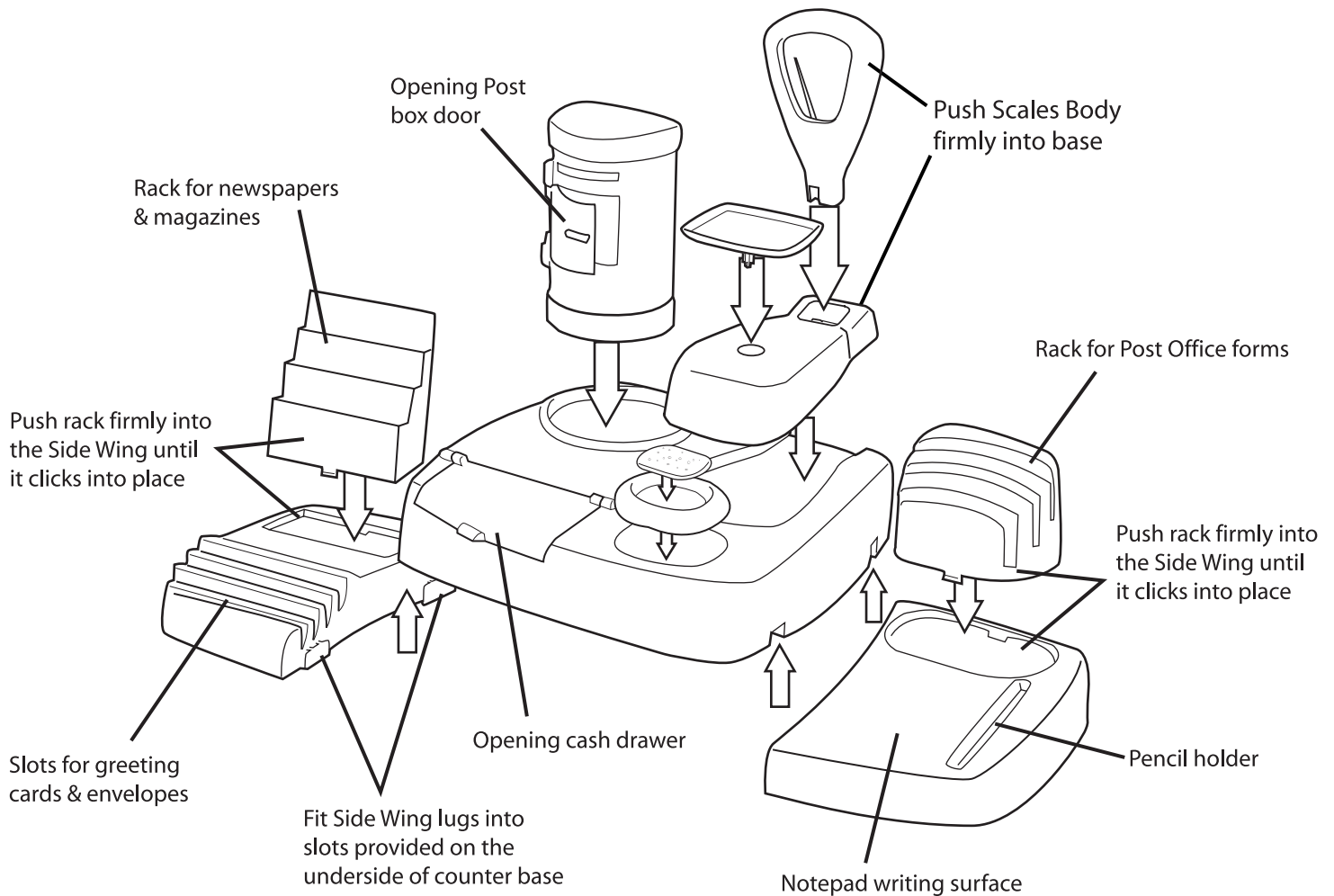


Application forms & Tax discs



Newspaper & Magazines

How does it work?



WARNING:

CHOKING HAZARD - Small parts.
Not suitable for children under 3 years.

PUNCTURE HAZARD - Pencil tip
Contains functional sharp point.

Adult supervision is recommended with all children.



BS 5665

EN 71