



Inventors of Fun & Play!

# IRONING SET

## ITEM No. 517 ASSEMBLY INSTRUCTIONS

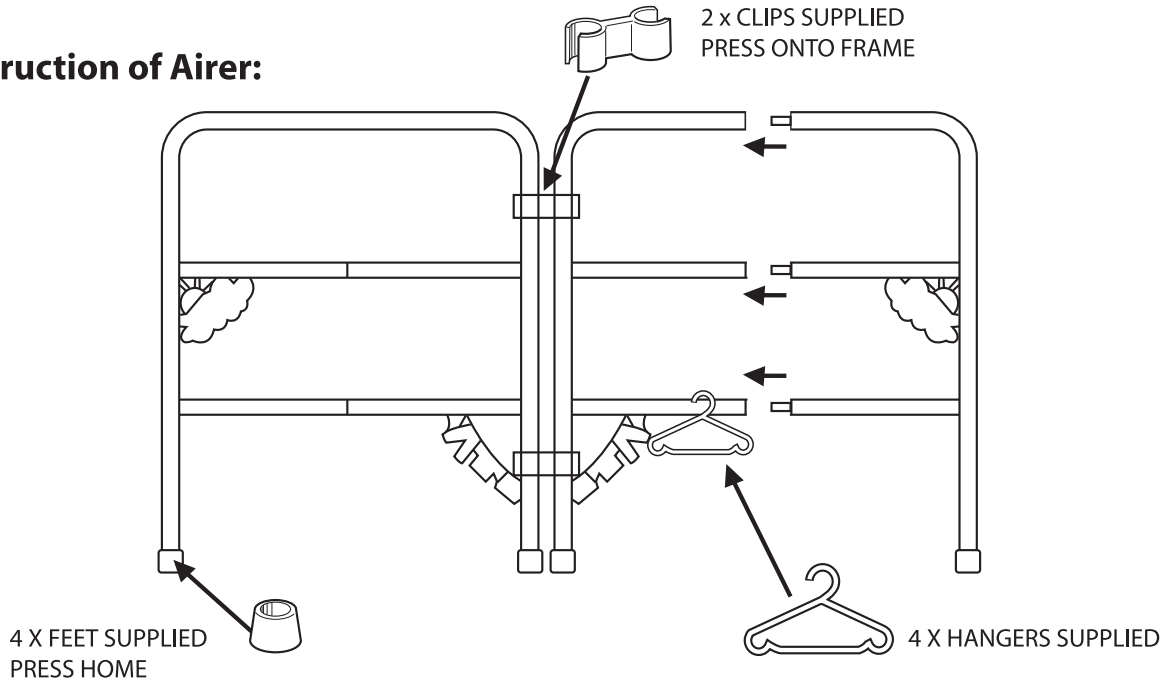
TOOLS REQUIRED: Pozi-screwdriver  
Adjustable spanner

### WARNING! Must be assembled by an adult

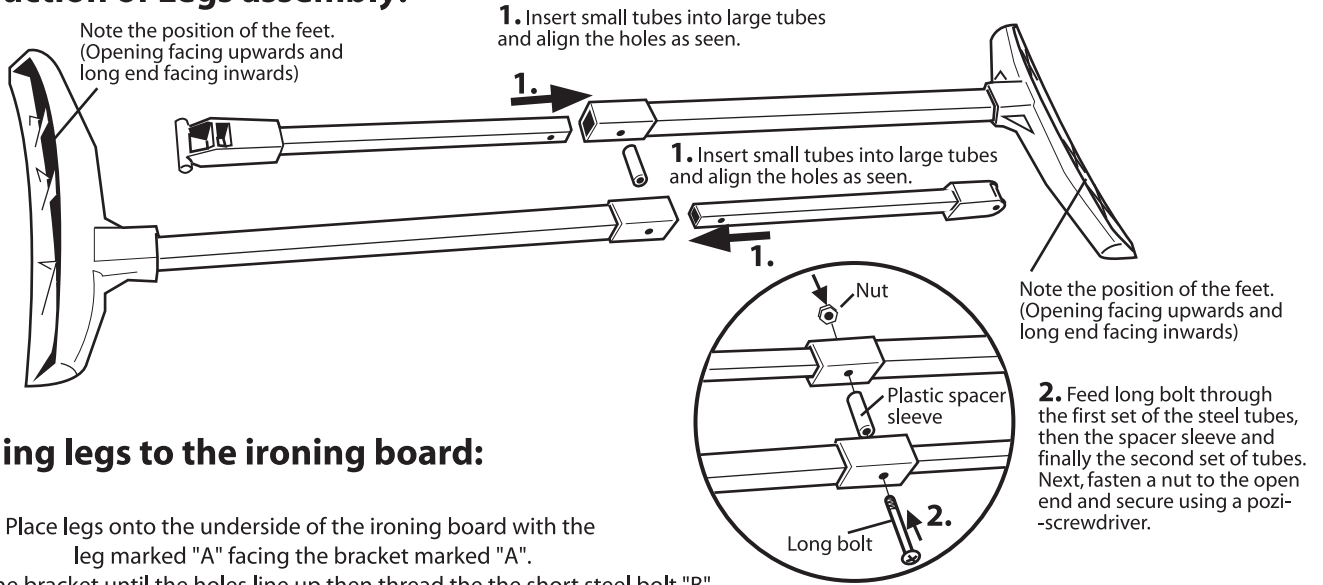
To be used under the direct supervision of an Adult

PLEASE CHECK CONTENTS AND READ THESE INSTRUCTIONS BEFORE COMMENCING ASSEMBLY.

### Construction of Ainer:



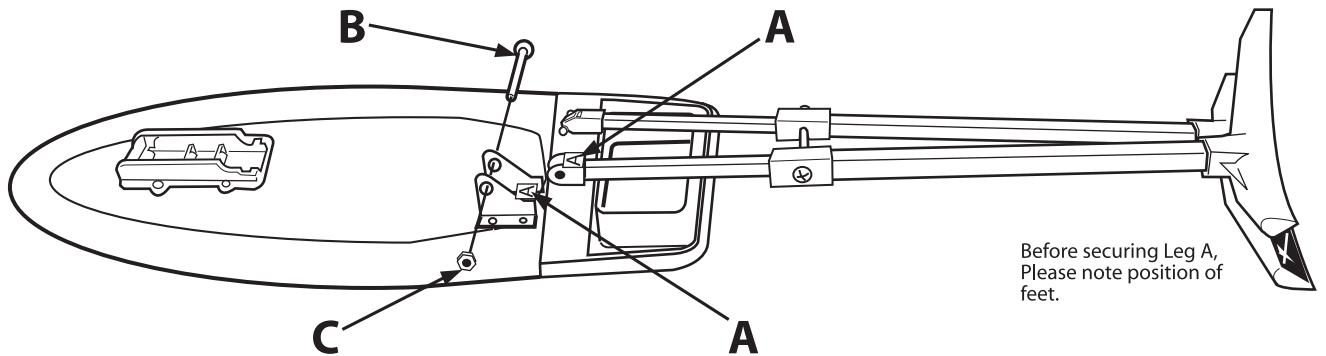
### Construction of Legs assembly:



### Attaching legs to the ironing board:

Place legs onto the underside of the ironing board with the leg marked "A" facing the bracket marked "A".

Locate in the bracket until the holes line up then thread the the short steel bolt "B" through and fasten at the end with a nut "C". Secure and tighten with a pozi-screwdriver.



#### WARNING

Not suitable for children under 3 years of age due to long cord - strangulation hazard and functional sharp points and small parts - choking hazard. Be careful during use due to posing a potential hazard; The toy iron, ainer, ironing board are imitations of real products; The toy iron, ainer, ironing board shall be kept out of reach of very young children. To be assembled by an adult. To be used under adult supervision.



#### WARNING:

**STRANGULATION HAZARD** - Long cord.  
**CHOKING HAZARD** - Small parts.  
Not suitable for children under 3 years.  
The toy is to be assembled by an adult - contains potentially sharp points (edges) before assembly, so please keep out of reach of very young children.

